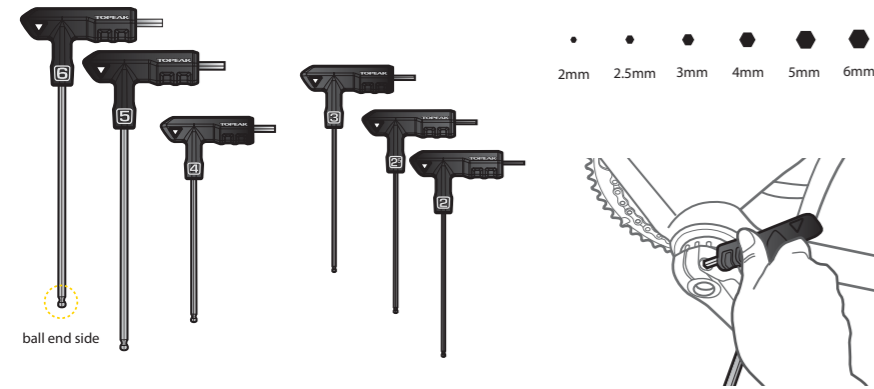




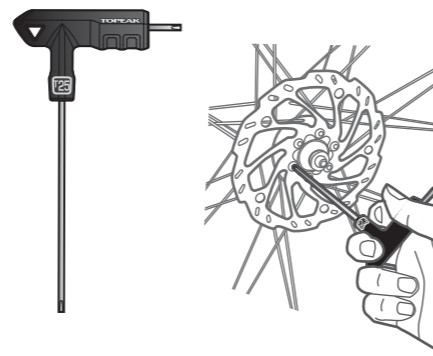
T-Handle DuoHex Wrench Set

Art no. TPS-SP01



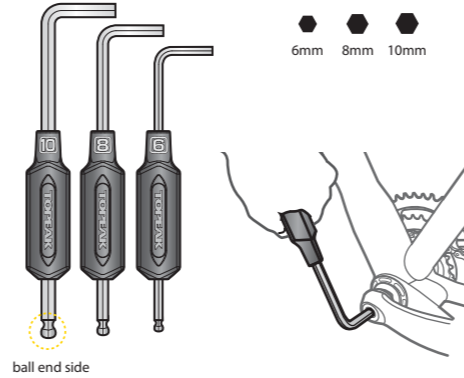
T25 DuoTorx® Wrench

Art no. TPS-SP34



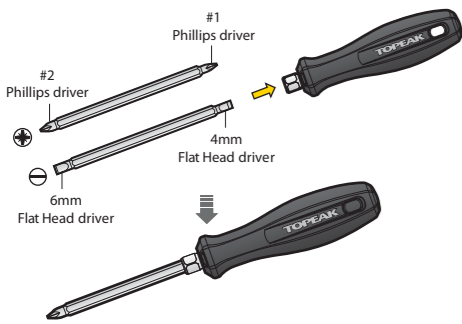
DuoHex Tool

Art no. TPS-SP02-04



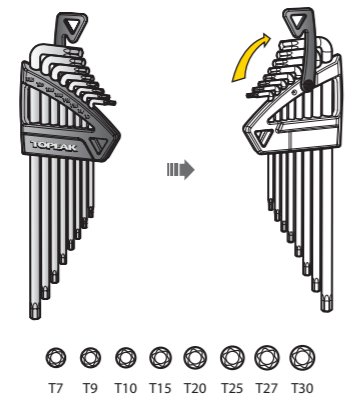
Quad Driver

Art no. TPS-SP06



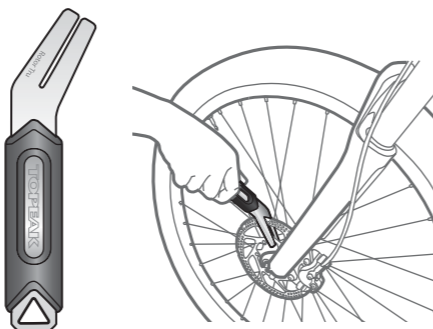
Torx® Wrench Set

Art no. TPS-SP05



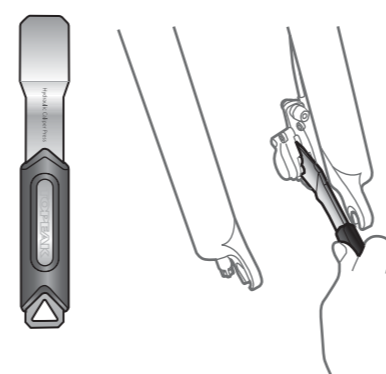
RotorTru

Art no. TPS-SP24



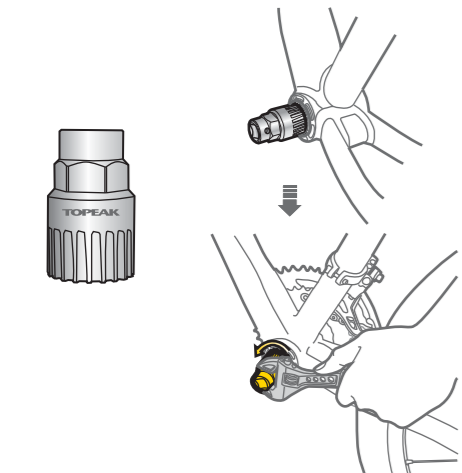
Hydraulic Caliper Press

Art no. TPS-SP23



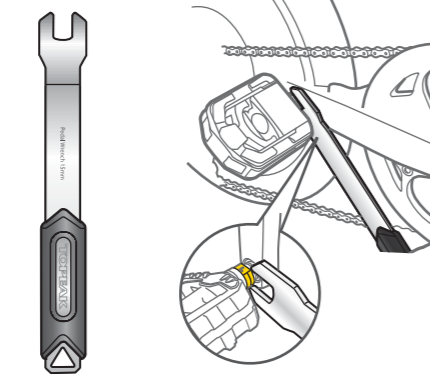
Cartridge Bottom Bracket Tool

Art no. TPS-SP18

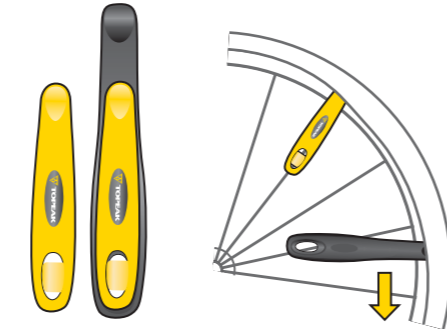


Pedal Wrench 15mm

Art no. TPS-SP20



Shuttle Lever Set



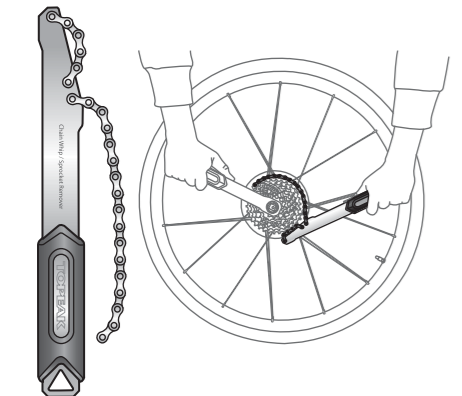
Adjustable Spanner

Art no. TPS-SP28



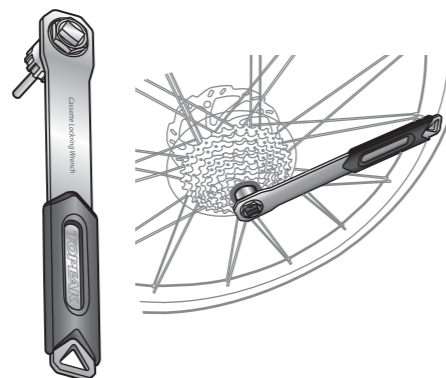
Chain Whip/Sprocket Remover

Art no. TPS-SP21



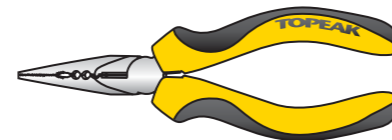
Cassette Locking Wrench

Art no. TPS-SP22



Needle Nose Pliers

Art no. TPS-SP29



Side Cutting Pliers

Art no. TPS-SP30



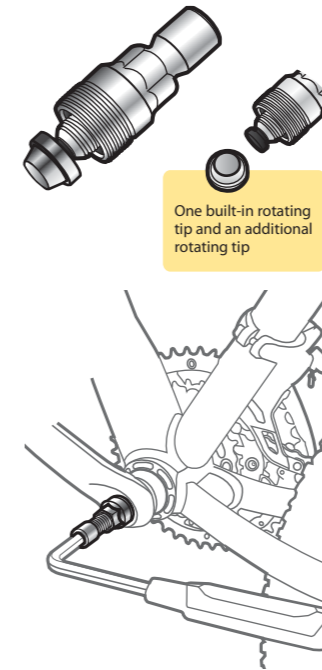
8/10mm Double Open End Spanner

Art no. TPS-SP27

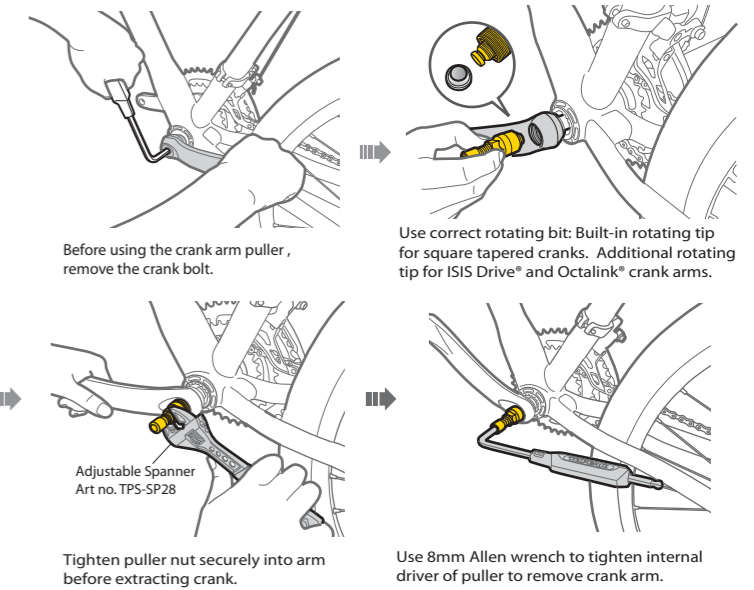


Universal Crank Puller

Art no. TPS-SP19

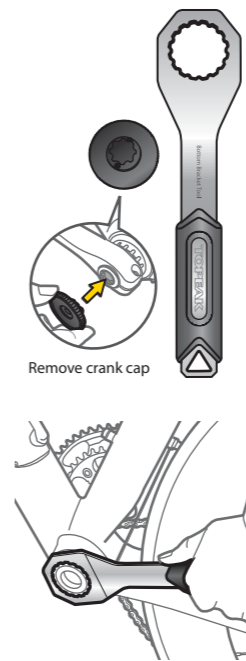


CRANK ARM REMOVAL

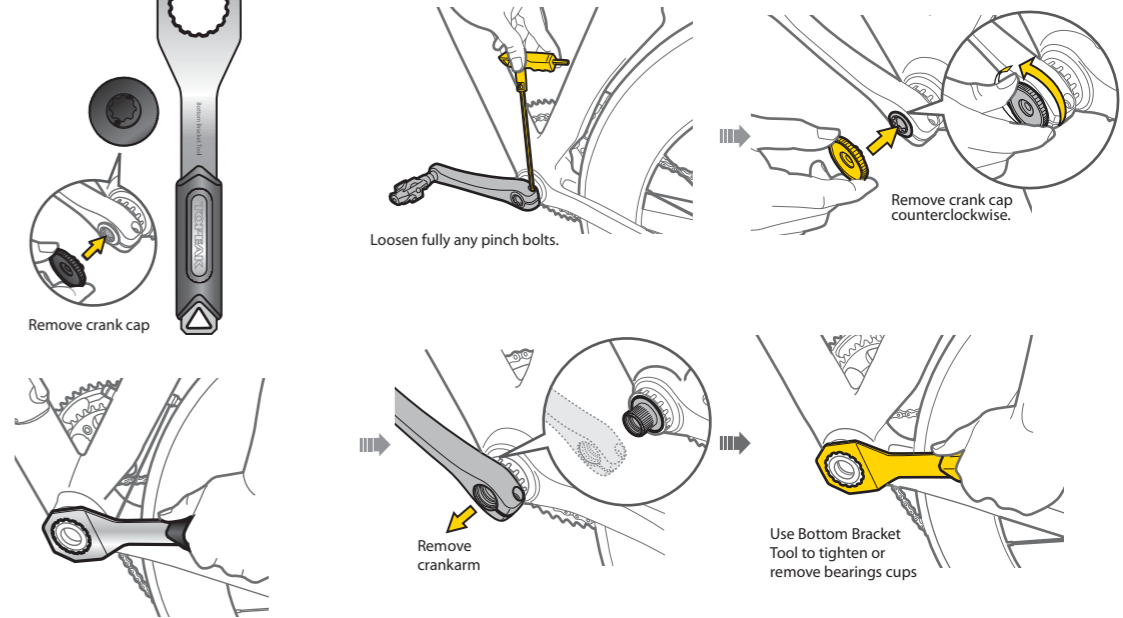


Bottom Bracket Tool

Art no. TPS-SP17



ADJUSTMENT/DISASSEMBLY OF EXTERNAL BEARING BOTTOM BRACKET



Chain Whip/Sprocket Remover

Art no. TPS-SP21

Cassette Locking Wrench

Art no. TPS-SP22

Needle Nose Pliers

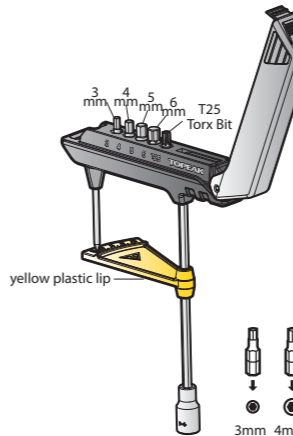
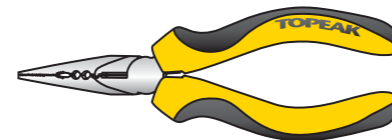
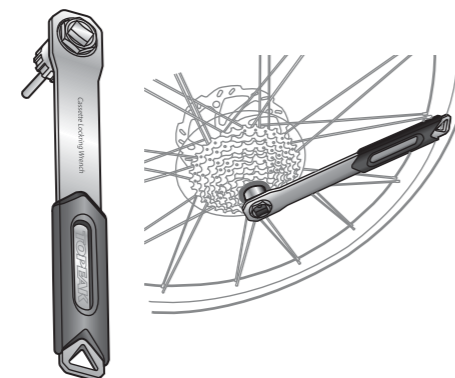
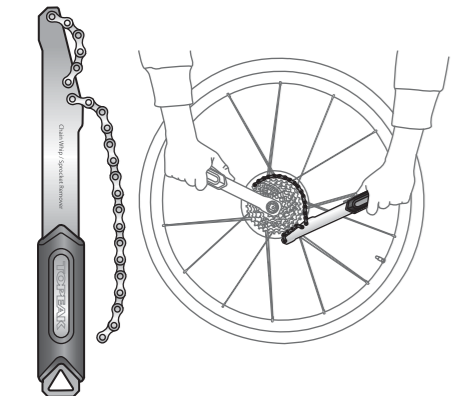
Art no. TPS-SP29

Side Cutting Pliers

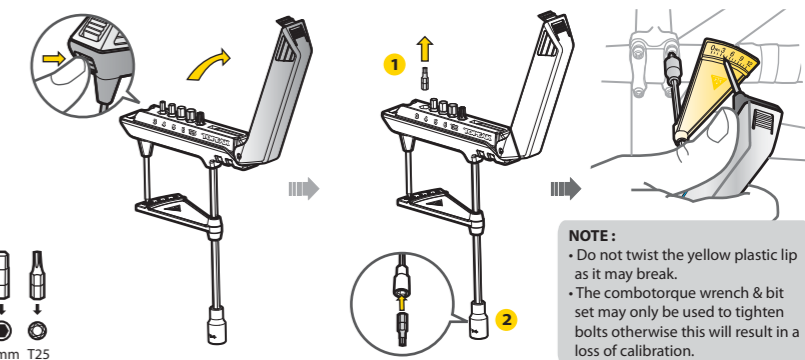
Art no. TPS-SP30

ComboTorq Wrench & Bit Set

Art no. TPS-SP07



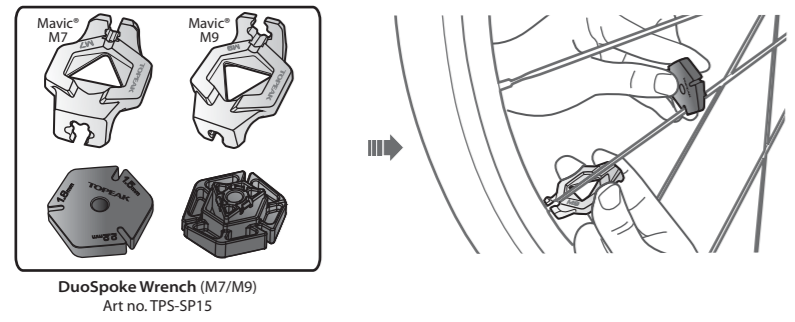
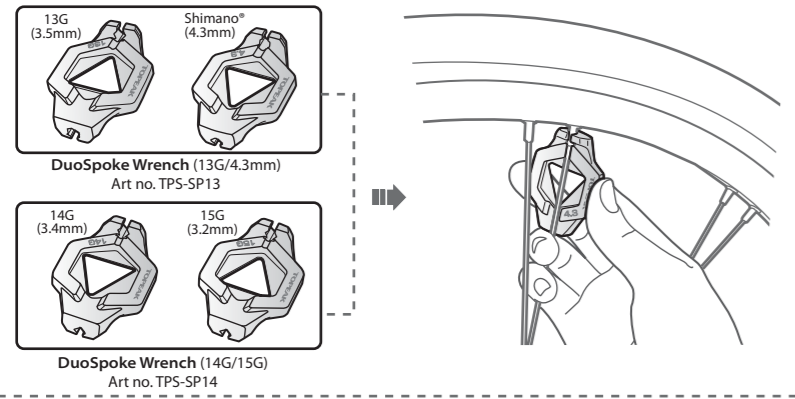
USING COMBOTORQ WRENCH & BIT SET



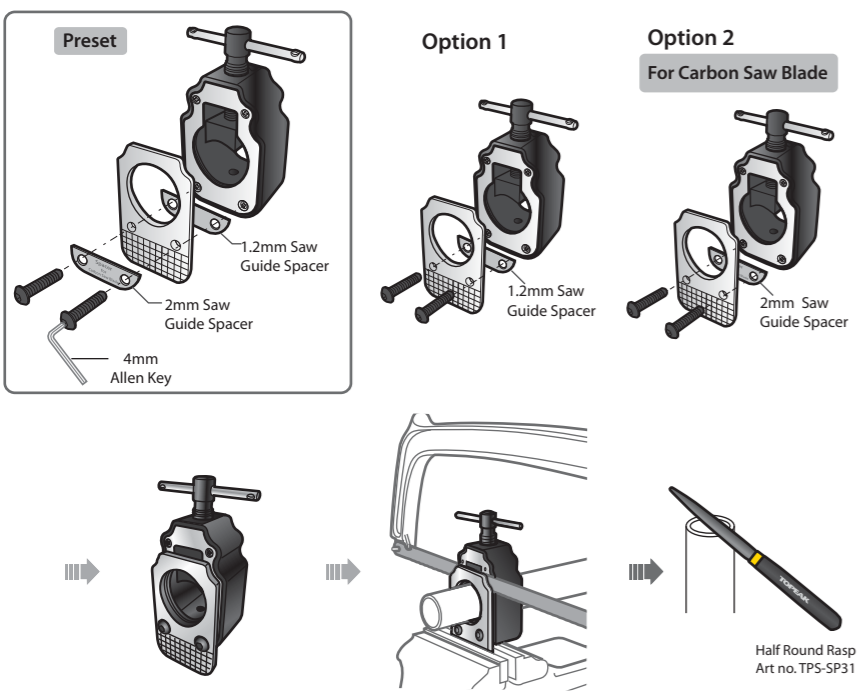
NOTE:
• Do not twist the yellow plastic lip as it may break.
• The combotorque wrench & bit set may only be used to tighten bolts otherwise this will result in a loss of calibration.



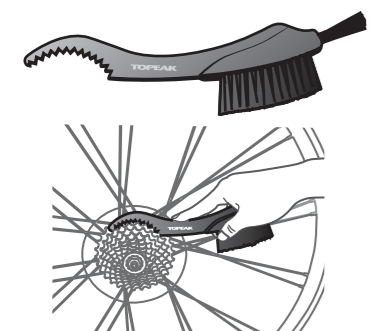
DuoSpoke Wrench Art no. TPS-SP13-15



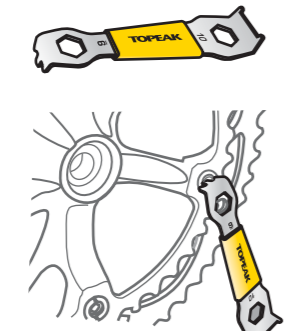
Threadless Saw Guide Art no. TPS-SP26



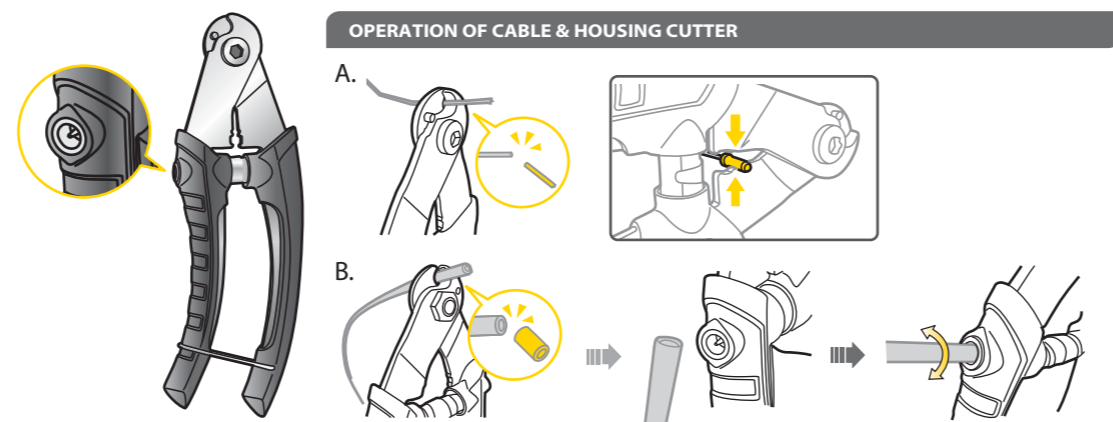
Sprocket Clean Brush Art no. TPS-SP33



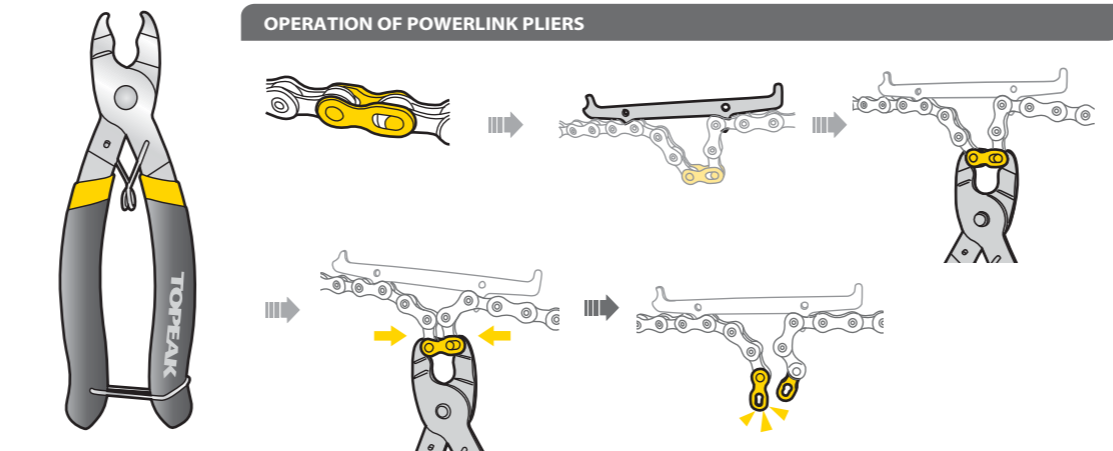
Chaining Nut Wrench Art no. TPS-SP11



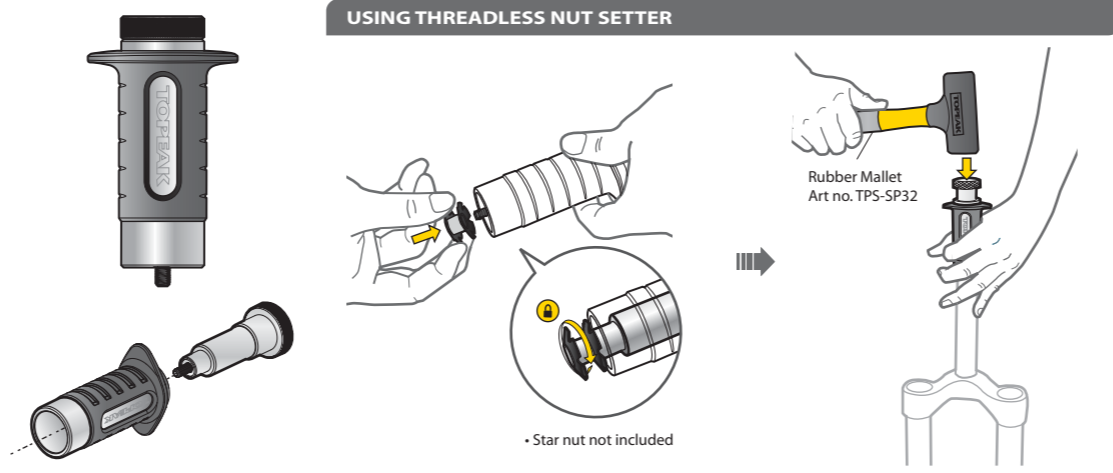
Cable & Housing Cutter Art no. TPS-SP16



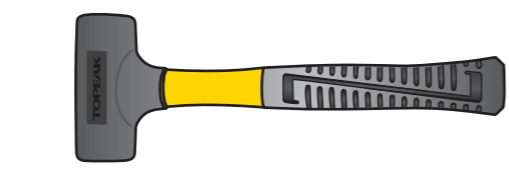
PowerLink Pliers Art no. TPS-SP12



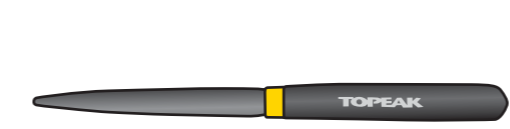
Threadless Nut Setter Art no. TPS-SP25



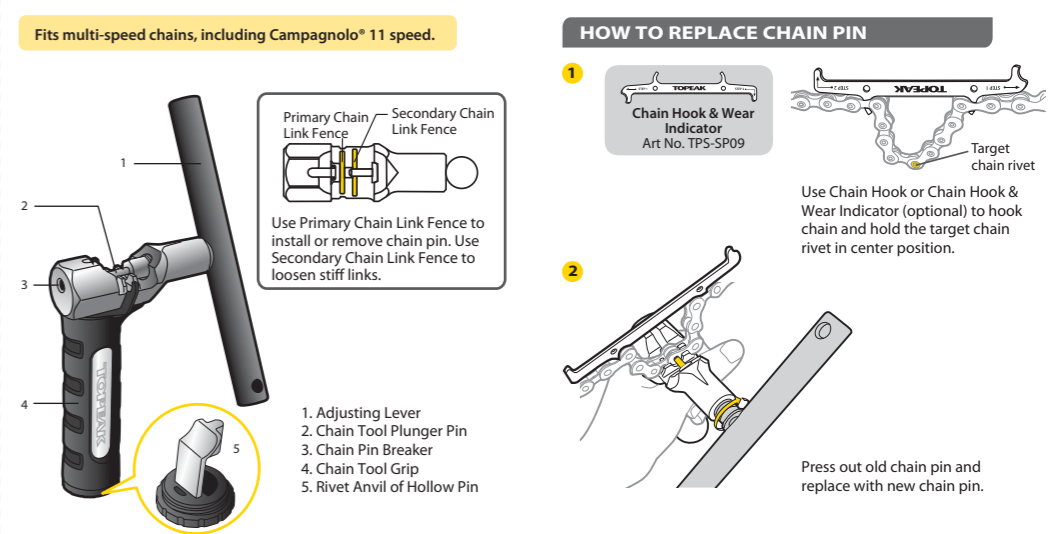
Rubber Mallet Art no. TPS-SP32



Half Round Rasp Art no. TPS-SP31



All Speeds Chain Tool Art no. TPS-SP08



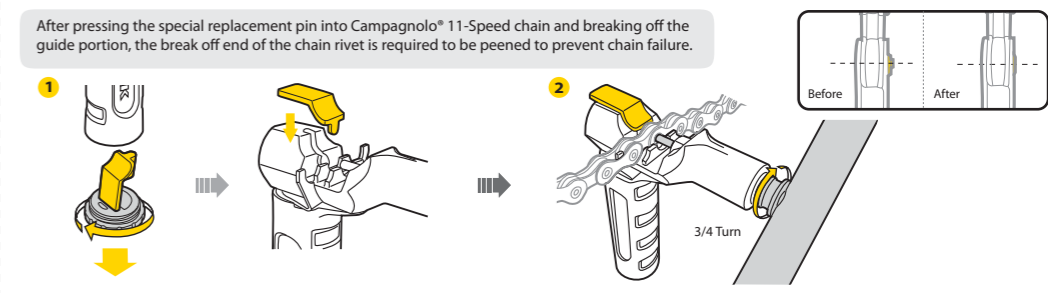
WARNING

- When pressing in the chain pin, push down on the top of the chain to keep it fully engaged in the chain tool cradle. Make sure the press pin of the chain tool is centered against the chain pin.
- Inspect chain rivet again and be sure chain links can bend freely after replacement.

MAINTENANCE

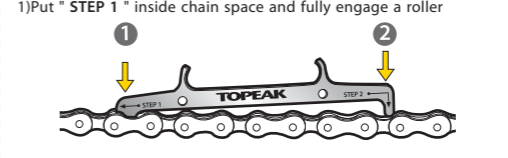
- Lubricate and maintain tool with Teflon® based lubricant when needed.
- To prevent rusting, keep tool dry.

INSTALLATION INSTRUCTION FOR CAMPAGNOLO® 11-SPEED HOLLOW CHAIN PIN

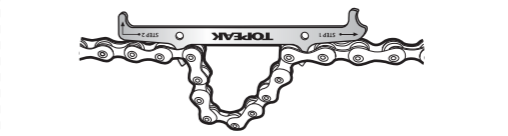


Chain Hook & Wear Indicator Art no. TPS-SP09

CHAIN WEAR INDICATOR



CHAIN HOOK



* Campagnolo® is a registered trademark of Campagnolo S.r.l.
* Teflon® is a registered trademark of DuPont.
* Mavic® is a registered trademark of SALOMON S.A.
* Shimano® is a registered trademark of Shimano® Inc.
* Torx® is a registered trademark of the Camcar Corp. division of Textron Inds.